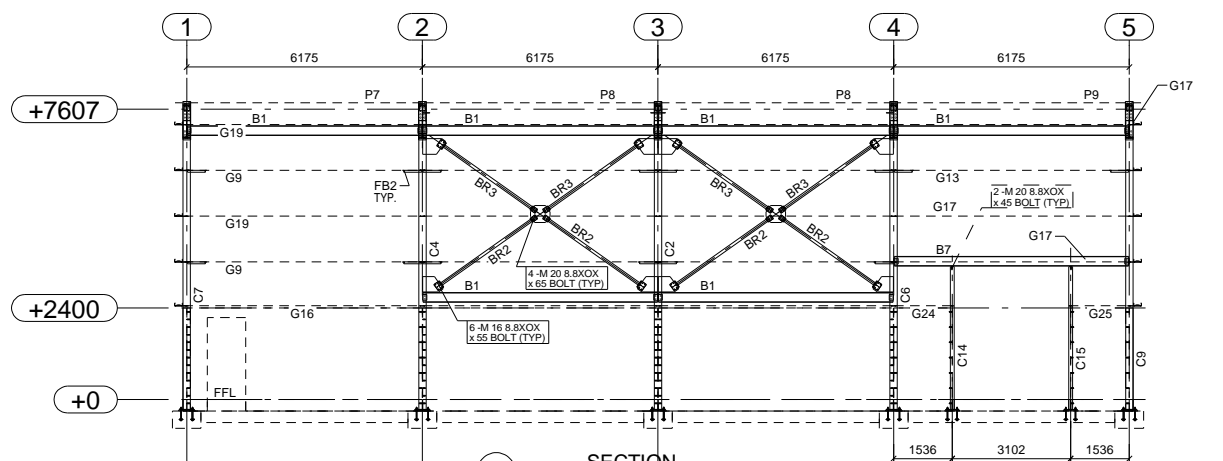
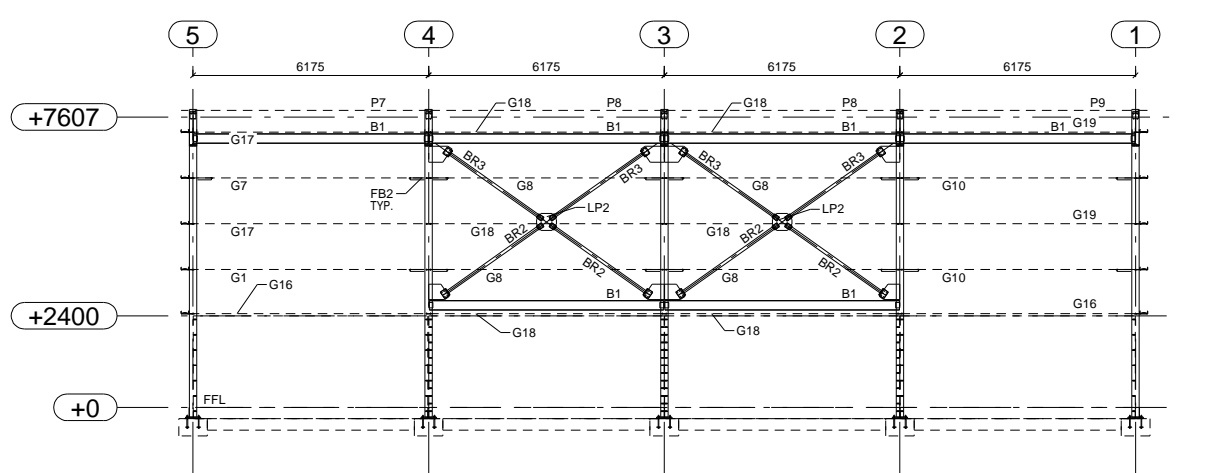


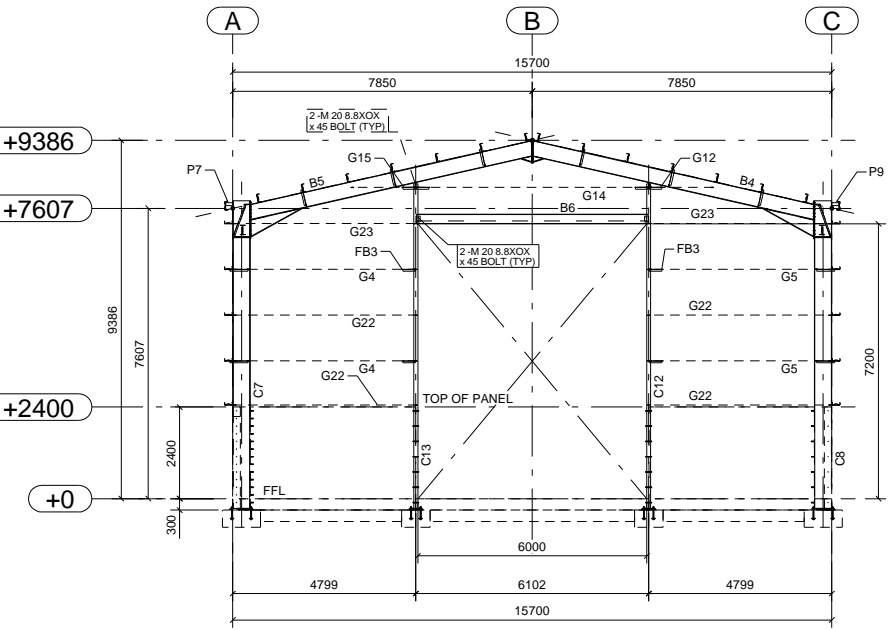
**ROOF FRAMING PLAN**



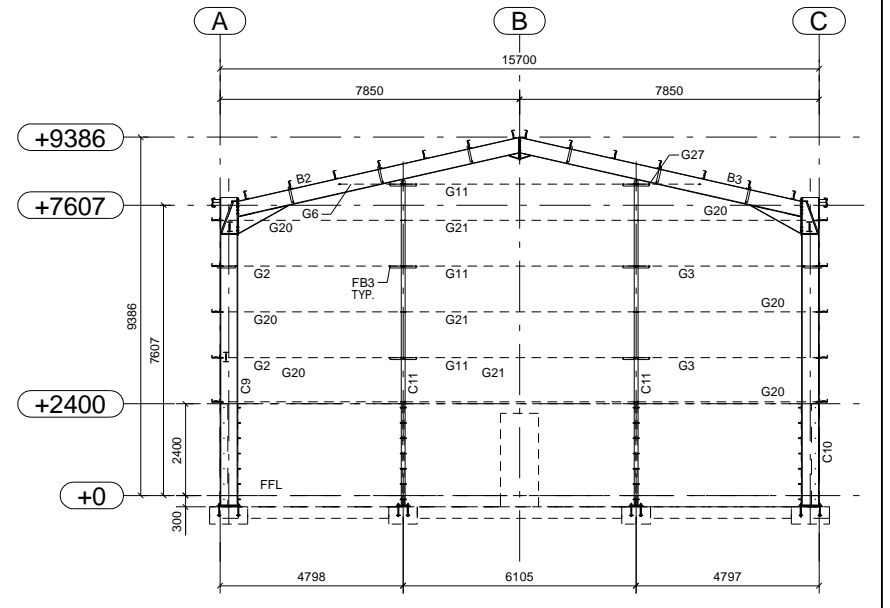
**SECTION A ELEVATION ALONG GRID A**



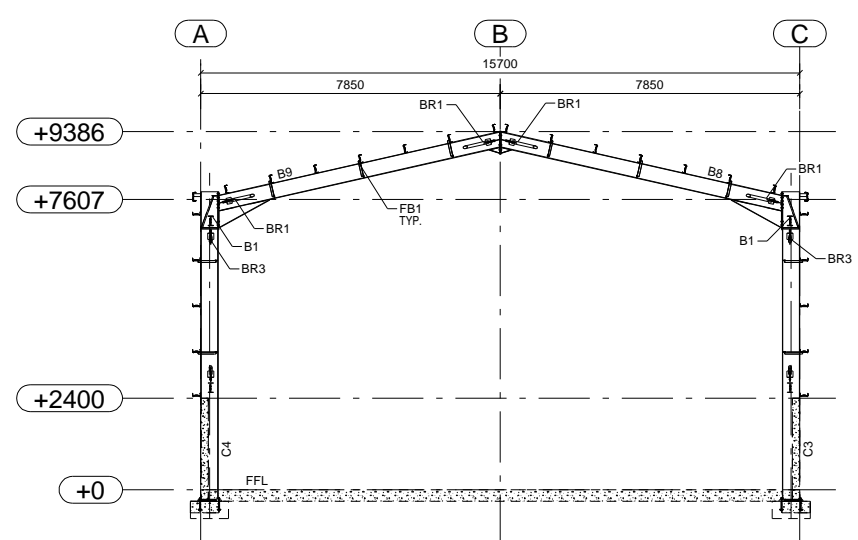
**SECTION B ELEVATION ALONG GRID C**



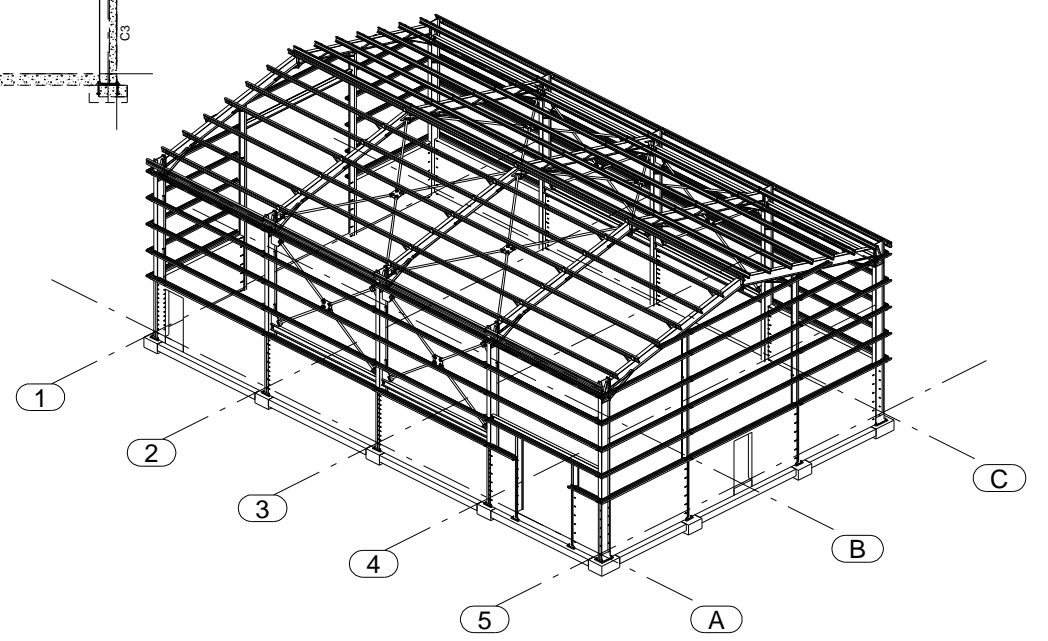
**SECTION C ELEVATION ALONG GRID 1**



**SECTION D ELEVATION ALONG GRID 5**



**SECTION E ELEVATION ALONG GRID 2 (SIM. TO GRIDS 3 & 4)**



**ISOMETRIC VIEW**

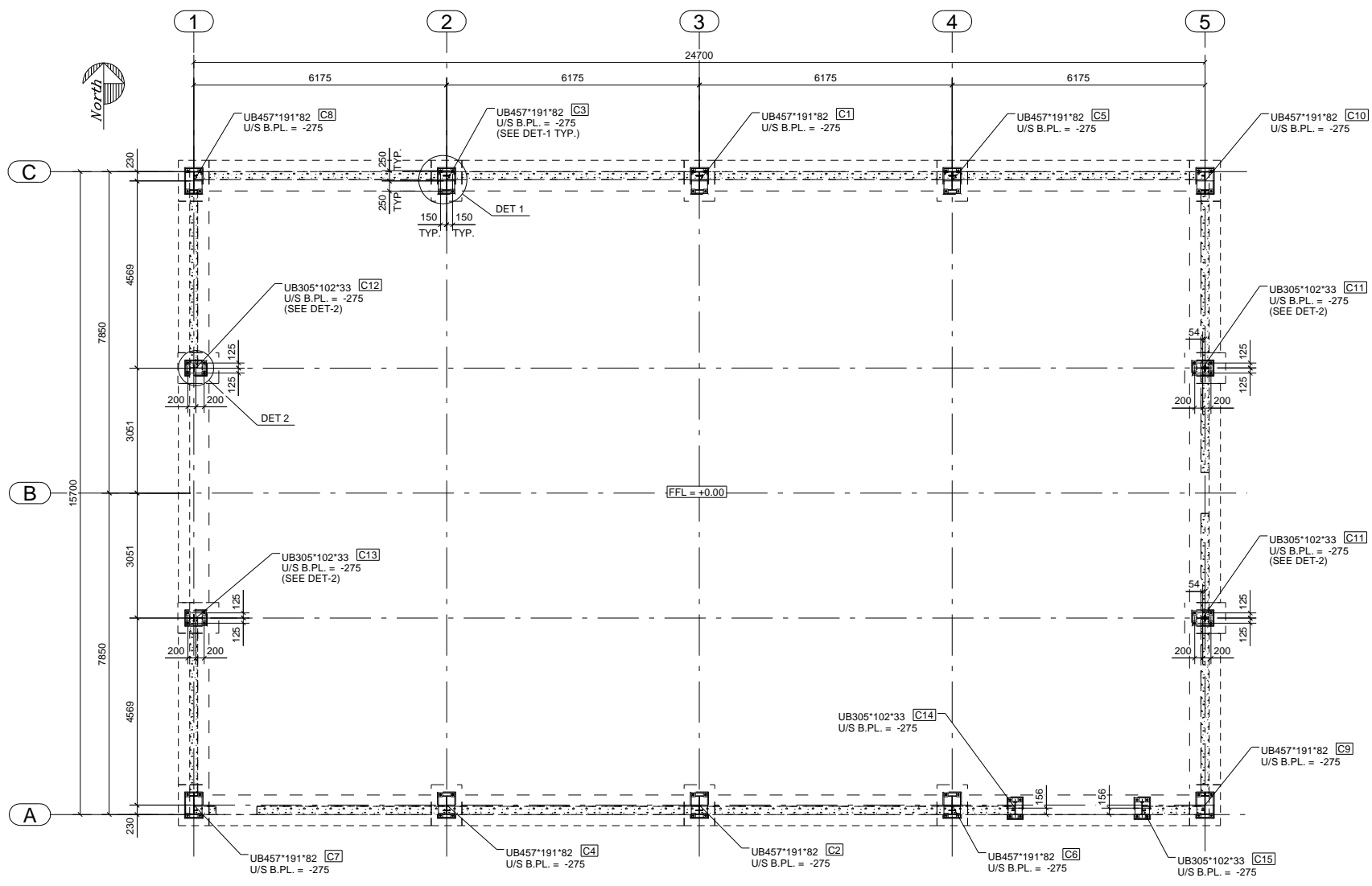
GENERAL NOTES:

- DO NOT SCALE, IF IN DOUBT ASK.
- DRAWINGS ARE TO BE READ IN CONJUNCTION WITH ALL RELEVANT ARCHITECTURAL AND ENGINEERING DRAWINGS.
- FOR H.D. BOLT PLAN REFER TO DRAWING 17-17-HD1.
- ALL MEMBERS MARKED ON THE TOP NORTH OR WEST END AND COLUMNS AT THE BOTTOM ON THE NORTH OR WEST FACE. WEB PLATES ARE ON NORTH OR WEST FACE, CHANNELS ON THE BACK U.O.N.

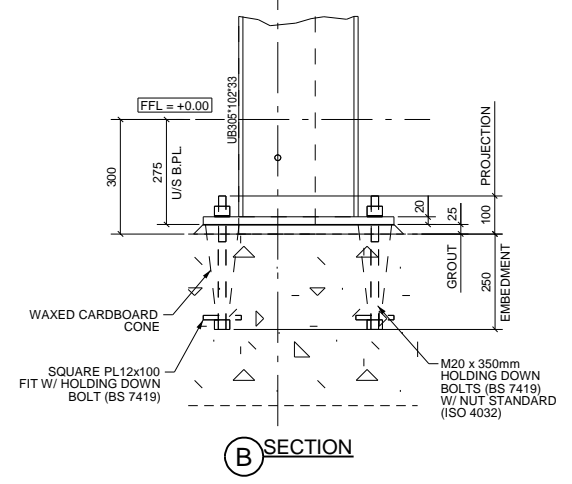
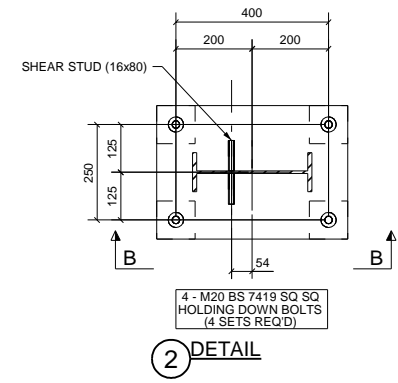
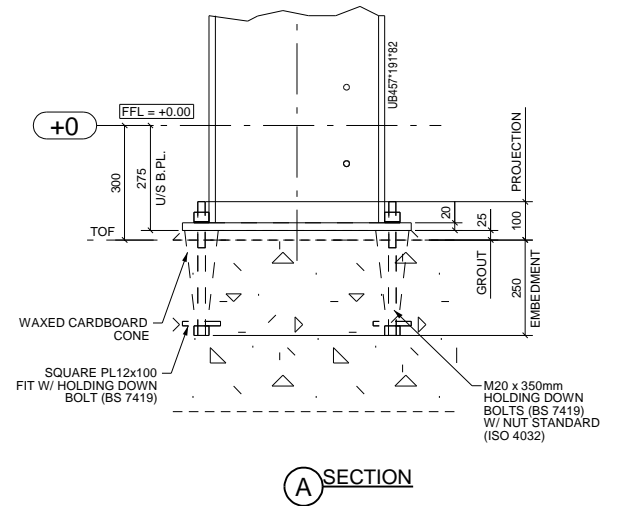
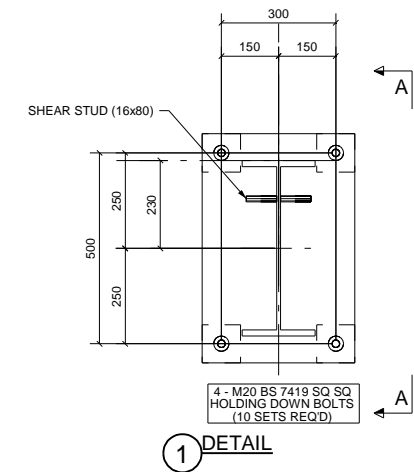
REV.	BY	DESCRIPTION	DATE
0	FDC	ISSUED FOR CONSTRUCTION	01.10.2018
A	FDC	ISSUED FOR APPROVAL	12.27.2017

**LALLY**  
CHARTERED ENGINEERS  
Udara Business Park, Tourmakeady, CO. Mayo  
Tel: (094) 954 4718 www.lallyeng.com

Drawn:	FDC	Project:	
Date:		Client:	
Scale:	NTS	Title:	MARKING PLAN & ELEVATION
Checked:	-	Drawing No:	17-170-MP1
Drawing Size:	A1	Revised:	0



HOLDING DOWN BOLT PLAN



GENERAL NOTES:  
 1. DO NOT SCALE, IF IN DOUBT ASK.  
 2. DRAWINGS ARE TO BE READ IN CONJUNCTION WITH ALL RELEVANT ARCHITECTURAL AND ENGINEERING DRAWINGS.  
 3. FOR H.D. BOLT PLAN REFER TO DRAWING 17-17-HD1.  
 4. ALL MEMBERS MARKED ON THE TOP NORTH OR WEST END AND COLUMNS AT THE BOTTOM ON THE NORTH OR WEST FACE. WEB PLATES ARE ON NORTH OR WEST FACE, CHANNELS ON THE BACK U.O.N.

REV.	BY	DESCRIPTION	DATE
0	FDC	ISSUED FOR CONSTRUCTION	01.10.2018
A	FDC	ISSUED FOR APPROVAL	12.27.2017

**LALLY**  
 CHARTERED ENGINEERS  
 Uddara Business Park, Tourmakeady, CO. Mayo  
 Tel: (094) 954 4718 www.lallyeng.com

Drawn:	FDC	Project:	
Date:		Client:	
Scale:	NTS	Title:	HOLDING DOWN BOLT PLAN
Checked:	-	Drawing No:	17-170-HD1
Drawing Size:	A1	Revised:	0